



DEPARTMENT OF THE ARMY

THE INSTITUTE OF HERALDRY
9325 GUNSTON ROAD, ROOM S113
FORT BELVOIR, VIRGINIA 22060-5579

AAMH-IHS

8 August 2018

MEMORANDUM FOR Commander, Headquarters, 3d Security Force Assistance
Brigade, ATTN: SFC Joshua McMiller, Fort Hood, TX 76544

SUBJECT: Beret Flash for the 3d Security Force Assistance Brigade

1. The request for a beret flash for the 3d Security Force Assistance Brigade (SFAB) is approved effective 16 June 2018.
2. Enclosed for use in procurement are:
 - a. Manufacturing drawings (TIOH Dwg. No. A-4-318) (Encls 1).
 - b. Color print and black and white line drawing (Encls 2).
 - c. A list of certified manufacturers and procedures for local procurement of insignia (Encls 3 & 4).
3. This authorization is in accordance with AR 670-1 and Headquarters, U.S. Army Forces Command, Permanent Order 158-7, dated 7 June 2018. A copy of this letter will become part of your permanent organizational history files.
4. Your point of contact for this action is Mr. Garrison at keith.a.garrison6.civ@mail.mil or (703) 806-4972.

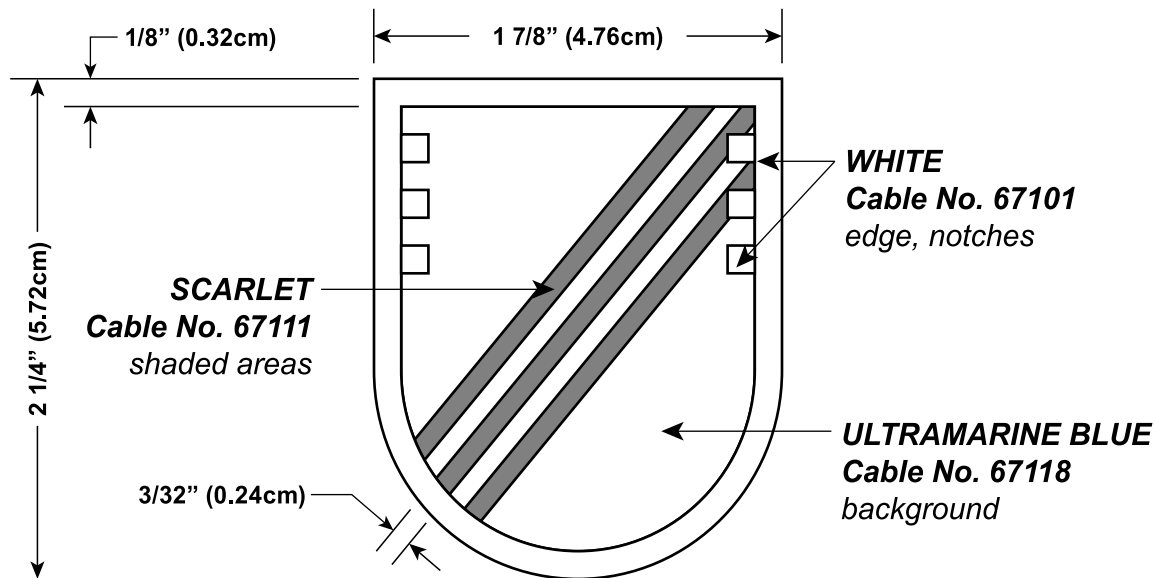
MUGNO.CHARLES.V.1020723374
S.V.1020723374
Digitally signed by
MUGNO.CHARLES.V.102072337
4
Date: 2018.06.08 08:57:15 -04'00'

CHARLES V. MUGNO
Director

Encls:
CF:
The Center of Military History

REVISIONS

LTR	DESCRIPTION	DATE	APPROVED
-----	-------------	------	----------



DESIGNED FOR OVEREDGE STITCHING

UNLESS OTHERWISE SPECIFIED DIMENSIONS ARE IN INCHES
TOLERANCES ON FRACTIONS DECIMALS ANGLES

MATERIALS:

TO BE MANUFACTURED IN ACCORDANCE WITH MIL-DTL-14652

THE INSTITUTE OF HERALDRY, DEPARTMENT OF THE ARMY
9325 GUNSTON RD, RM S-113 FORT BELVOIR, VA 22060-5579

EXAMINED	<i>TLG</i>	
CHECKED	<i>CA</i>	<i>SAD</i>
PREPARED	<i>AWW</i>	

BERET FLASH
THIRD SECURITY FORCE ASSISTANCE BRIGADE

APPROVED

CHARLES V. MUGNO
DIRECTOR

SIZE	CONTROL IDENT. NO	A-4-318
B	22571	

SCALE	FULL	DATE	12 JUNE 2018
-------	------	------	--------------